

Passcert

Higher Quality, better service!



Q&A

[Http://www.passcert.com](http://www.passcert.com)

We offer free update service for one year.

Exam : **HP2-T15**

Title : **Servicing HP BladeSystem**

Version : **Demo**

1.Which RAID levels are supported by the integrated Smart Array E200i Controller without a cache module in an SB600c Server Blade? (Select two.)

- A. RAID0
- B. RAID 1+0
- C. RAID6 (ADG)
- D. RAID 5

Answer: A,B

2.Which server blades support the Intel Xeon processor? (Select two.)

- A. HP ProLiant BL465cG5
- B. HP ProLiant BL480cG5
- C. P ProLiant BL490cG6
- D. HP ProLiant BL685cG5

Answer: B,C

3.What can be set with the Insight Display of the c7000 enclosure? (Select three.)

- A. power mode
- B. role base user account and privileges
- C. power and cooling management mode and monitoring
- D. enclosure and rack name
- E. power savings

Answer: A,D,E

4.Which blades support the Intel 5500 Chipset processor? (Select two.)

- A. HP ProLiant BL460cG6
- B. HP ProLiant BL490cG6
- C. HP ProLiant BL680cG5

D. HP ProLiant BL685cG6

Answer: A,B

5.Where does the System Management Homepage obtain its data?

- A. Web-enabled agents
- B. BIOS
- C. <http://www.hp.com>
- D. Product Bulletin

Answer: A

6.What will mixing RDIMMs and UDIMMs in an HP server blade do?

- A. halt the server blade during BIOS initialization
- B. have no effect; the server blade is booting up normally
- C. have no effect as long as the types are not mixed within pairs
- D. cause a boot loop

Answer: C

7.You have activated the UID (Unique Identifier) light on the Insight Display of a c7000 enclosure in a remote data center. Which color is the UID?

- A. green
- B. amber
- C. black
- D. blue
- E. red

Answer: D

8.Your customer wants to mount a standard media image located on a shared network location from the company's blade server Which iLO 2 Standard Blade Edition feature allows this?

- A. key-activated floppy and CD virtual media
- B. virtual power button
- C. virtual media
- D. remote console

Answer: C

9.Which type of cable connection is used to link two HP BladeSystem c-Class enclosures for management purposes?

- A. USB
- B. Rj-11
- C. RJ-45
- D. RS-232 serial

Answer: C

10.Which memory slots must be populated first in a ProLiant BL490c G6?

- A. white
- B. black
- C. blue
- D. brown

Answer: A

11.How high in standard units (Us) is a c3000 enclosure?

- A. 4
- B. 6
- C. 8
- D. 10
- E. 12

Answer: B

12.What is the maximum number of BL685c G6 Server Blades that can be directly attached to an HP

Storage Worksheet iifA^li?Js]fiTi £ ?

- A. 1
- B. 2
- C. 4
- D. 7

Answer: A

13.Which HP cooling technology allows automatic control of the CPU state to reduce power consumption when application demand is low?

- A. active Cool fan-
- B. Modular Cooling system
- C. HP Power Regulator for ProLiant
- D. Static Power Saver

Answer: C

14.What is the maximum number of drives supported in an SB40c Storage Blade?

- A. 2
- B. 4
- C. 8
- D. 6

Answer: D

15.DRAG DROP

Place the possible mezzanine card type next to its corresponding mezzanine connector in a BL685c G5 Server Blade.

Mezzanine Connector 1

place here

Mezzanine Connector 2

place here

Mezzanine Connector 3

place here

Type I mezzanine card only

Type I mezzanine card only

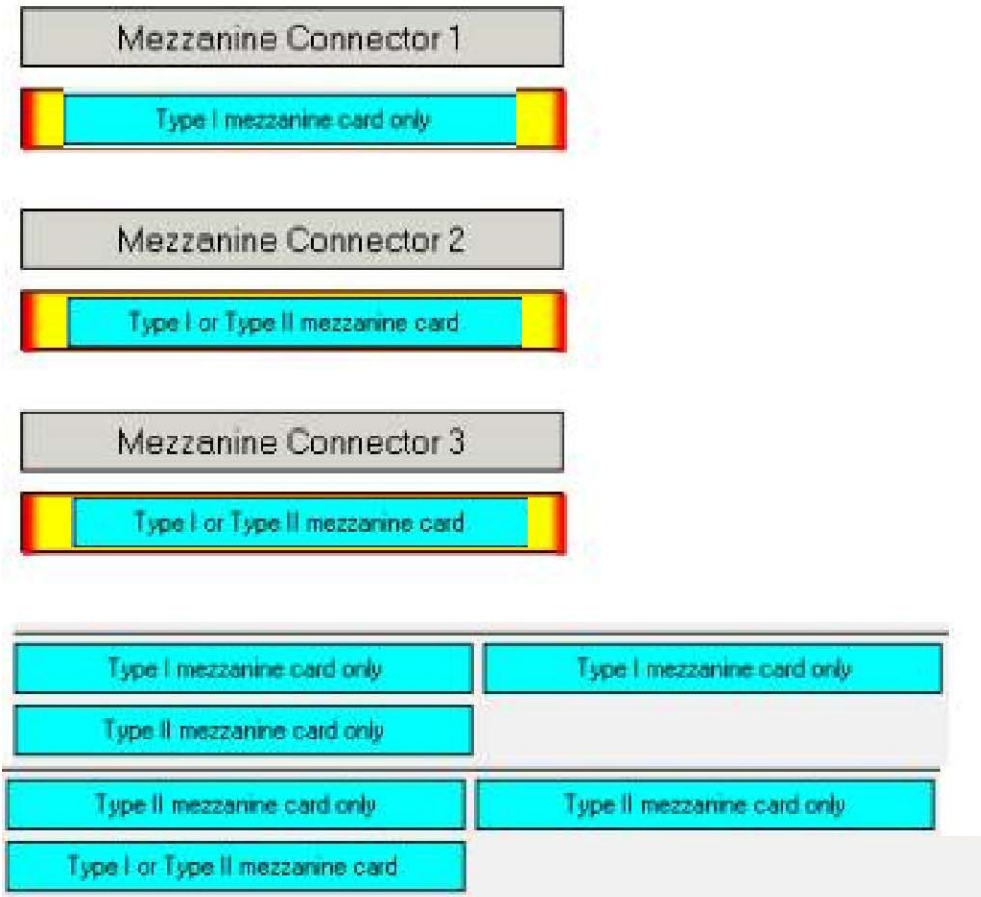
Type II mezzanine card only

Type II mezzanine card only

Type II mezzanine card only

Type I or Type II mezzanine card

Answer:



16.Which management functionality is performed by the c7000 Onboard Administrator? (Select two.)

- A. providing dynamic resource allocation for server blades
- B. managing shared power and cooling for the enclosure
- C. activating Remote Deployment Pack (RDP) when an in-service server fails
- D. providing license management through the command line interface (CLI)
- E. detecting any mismatches between mezzanine cards and interconnects

Answer: B,E

17.A customer wants to install a new blade into an existing c7000 solution. What should be checked before installation to verify compatibility?

- A. processor speed
- B. port mapping
- C. jLO settings
- D. disk mapping

Answer: B

18.HP offers two types of mezzanine cards. Which statement is correct?

- A. Type I mezzanine cards will fit into type I and type II slots.
- B. Type II mezzanine cards can fit into type I or type II slots.
- C. Type I mezzanine cards outperform type II slots.

D. Type II mezzanine cards will only support older SCSI devices.

Answer: A

19.Which action can you initiate from the Insight Display?

A. Determine the IP address of the Virtual Connect Manager

B. Change the IP address of the server OS.

C. Power down a blade server

D. Upgrade Onboard Administrator firmware.

Answer: A

20.Which Smart Array features are offered in a P410i when using a Cache option, but not offered in a P410i model without cache? (Select two.)

A. Offline Mirror Splitting

B. Online Drive Flash

C. Drive Erase

D. Disk Write Cache

E. Volume Extension

Answer: A,E

21.A full-height server blade has a quad port network mezzanine card Installed in slot 3. Where do you need to install the GbE2c Switches to make use 1 of all four ports?

A. Bays 3 and 4 only

B. Bays 7 and 8 only

C. Bays 5, 6, 7 and 8

D. Bays 3, 4, 5 and 6

Answer: D

22.What is used to set the initial enclosure IP addressing on a c7000 enclosure?

(Select two.)

A. Insight Display

B. Onboard Administrator

C. Integrated Lights Out

D. Systems Insight Manager

Answer: A,B

23.How can storage be presented to a server from the StorageWorks All-In-One SB600c Storage Blade? (Select two.)

A. using iSCSI

B. using HTTPS

C. using InfiniBand

D. using NFS

Answer: A,D

24.How many BladeSystem p-Class enclosures are supported by a single Scalable Bus Bar?

- A. 2
- B. 4
- C. 5
- D. 6

Answer: C

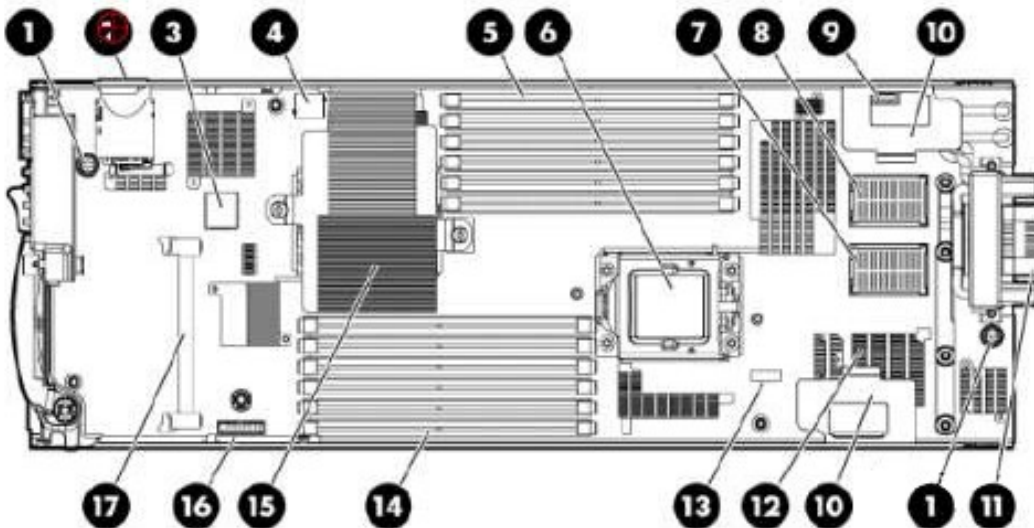
25. Your customer has a c7000 enclosure with four full-height blades, four power supplies, and six fans installed. What must be done when adding a BL685c G6?

- A. add another power supply
- B. add two more fans
- C. change the power mode
- D. disable power capping

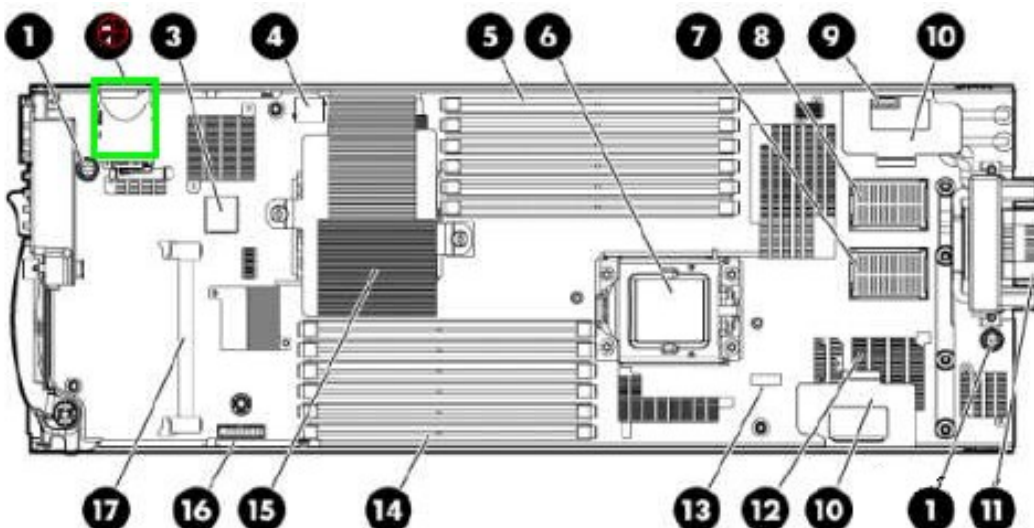
Answer: B

26. HOTSPOT

Click on the SD card slot in a BL460c G6.



Answer:



27. Where are the iLO 2 user accounts stored when not using a directory integration?

- A. LDAP server
- B. iLO 2 memory
- C. SMH database
- D. iLO 2 certificate

Answer: B

28. DRAG DROP

Place each severity level listed in the Integrated Management Log next to its description.

Descriptions	
Place Here	indicates that the message is informational only
Place Here	indicates that corrective action has been taken
Place Here	indicates a non-fatal error condition
Place Here	indicates component failure

Status Repaired Caution Critical

Answer:

Descriptions	
Status	indicates that the message is informational only
Repaired	indicates that corrective action has been taken
Caution	indicates a non-fatal error condition
Critical	indicates component failure

Status Repaired Caution Critical

29. Which task of the HP Troubleshooting Methodology do you accomplish when performing Step 1?

- A. Determine which subsystem could cause the problem.
- B. Understand the mode of failure.
- C. identify the steps necessary to implement each solution,

D. Gather failure information.

Answer: D